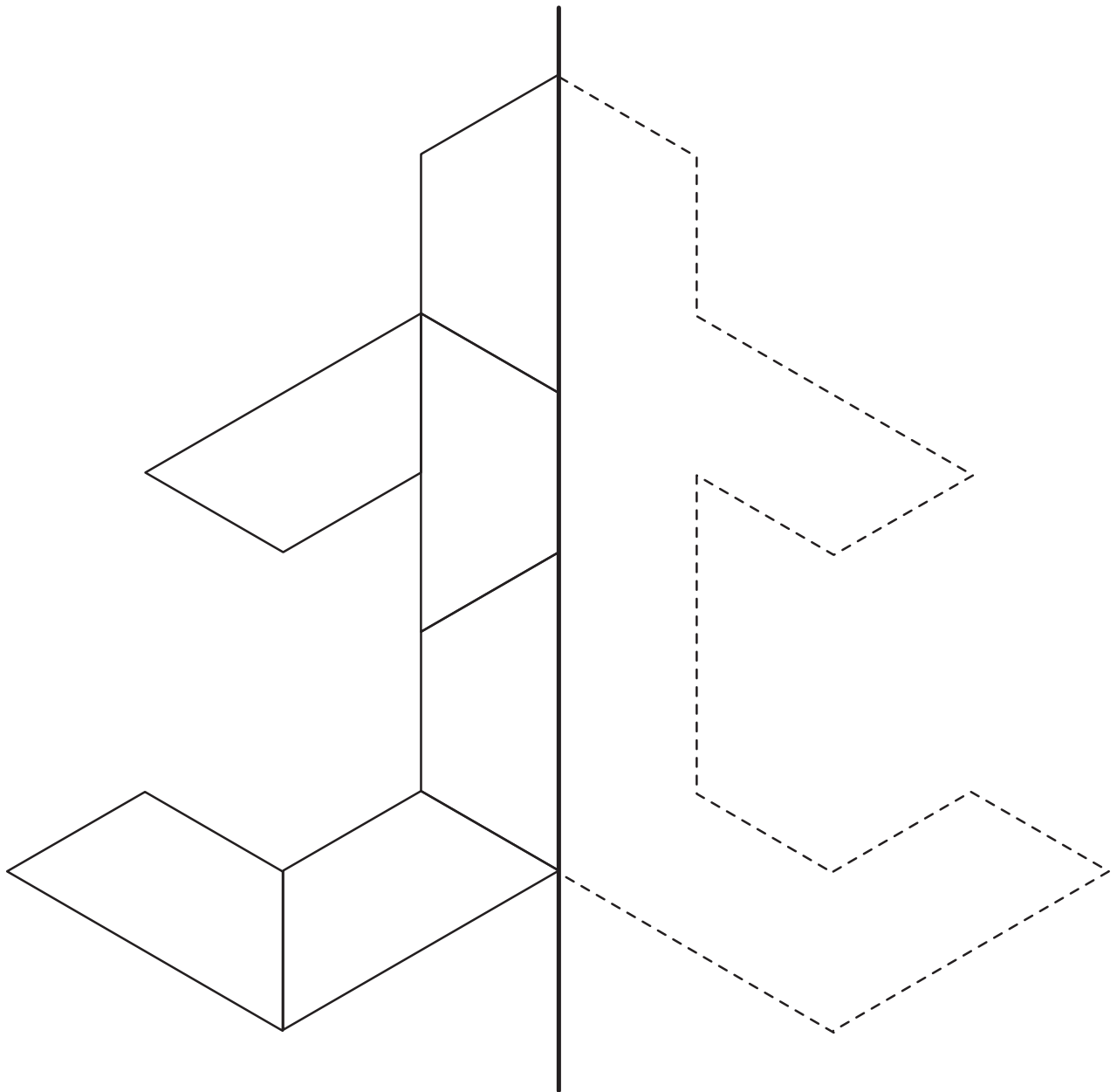


Pattern Block Symmetry

Trapezoid Man

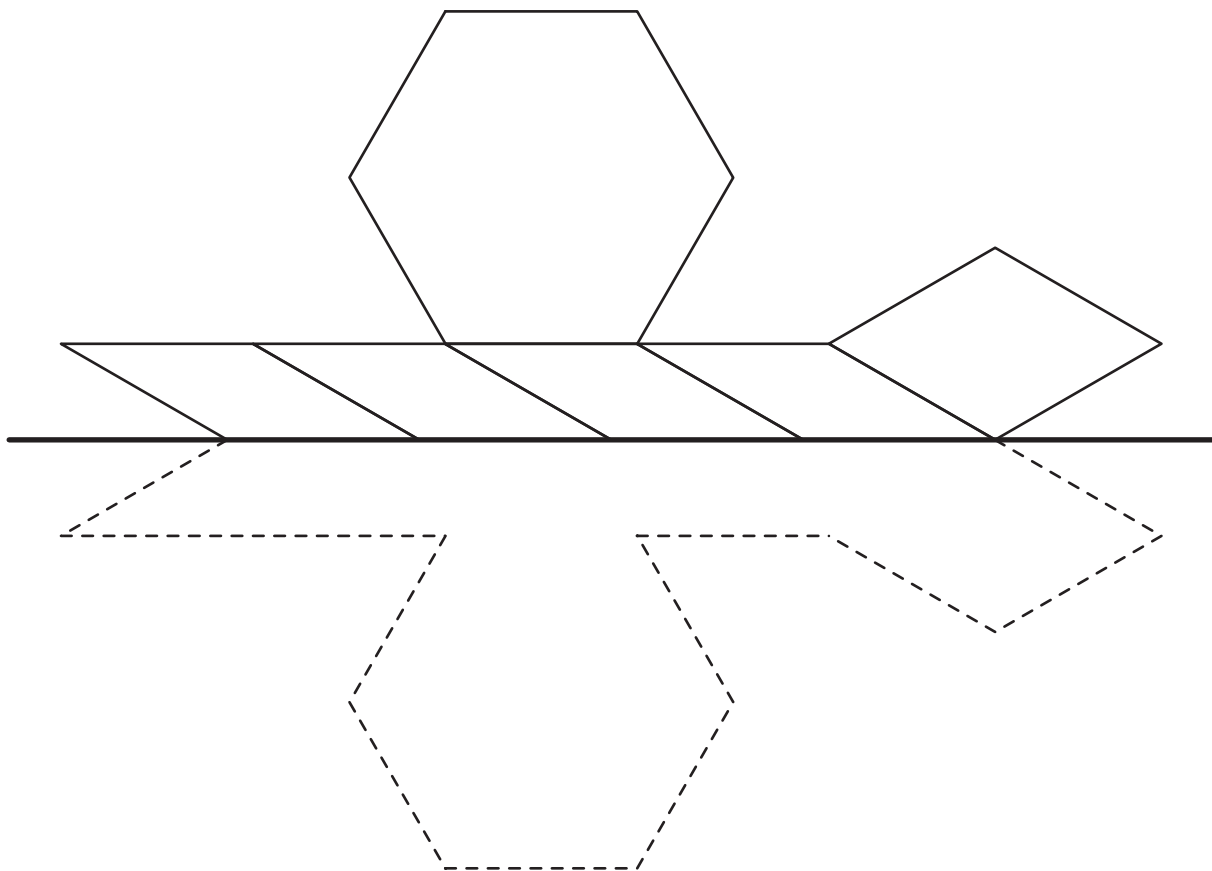
1. Cover this side with pattern blocks.
2. Cover this side with blocks to make the Trapezoid Man symmetrical.



Copyright © Kendall Hunt Publishing Company

Butterfly

3. Cover the top side with pattern blocks.



4. Cover the other side with blocks so the butterfly is symmetrical.

Tree



Check-In: Questions 5–6

- 5. Cover this side with pattern blocks to fit.
- 6. Cover this side with blocks to make the tree symmetrical.

