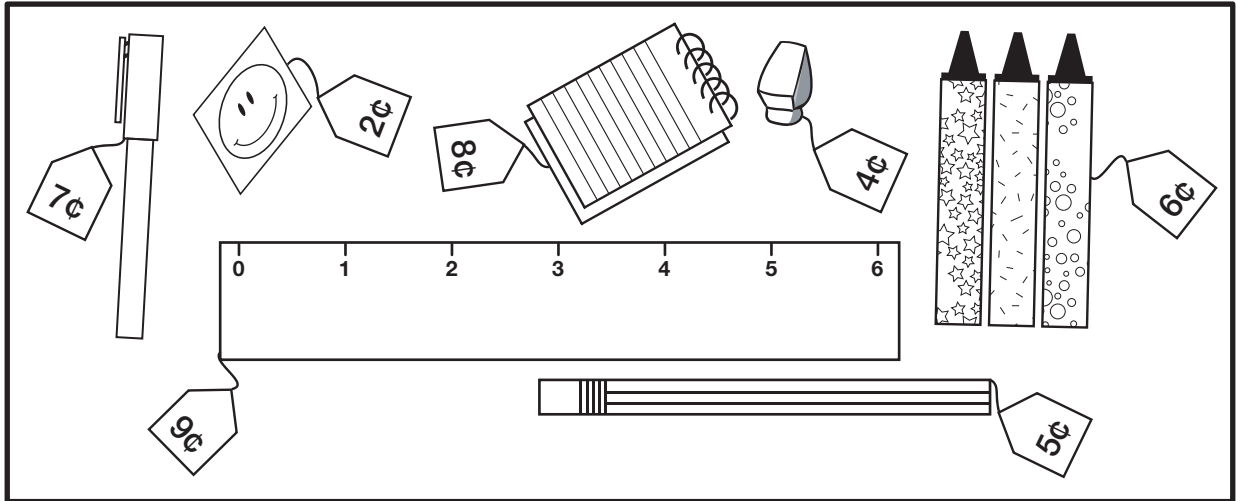


# Make Ten at the School Store

Write a number sentence to show how you solved each problem.



- Jerome wants to buy a notebook and pencil. How much money does he need?



Number sentence \_\_\_\_\_

- Grace wants to buy a pen and an eraser. How much money does she need?



Number sentence \_\_\_\_\_