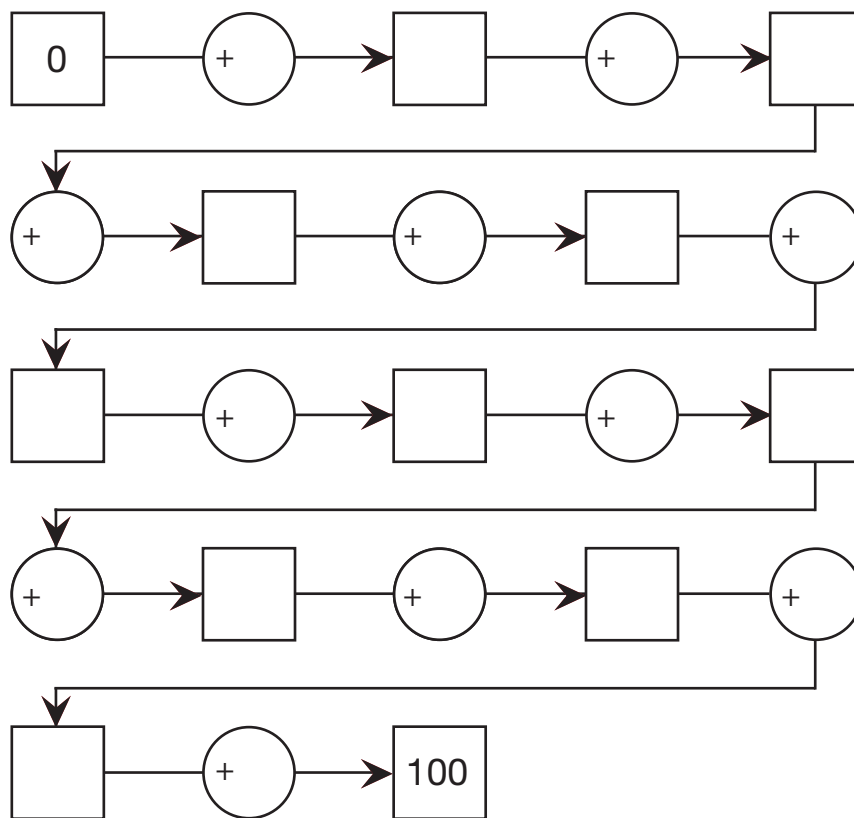


Path to Glory: Challenge

This is a cooperative activity for two players. The object is to reach 100 in exactly 11 steps.

Directions

Work with a partner. Start at 0. Take turns adding 1, 2, 3, 10, 20, or 30. Write each number you add in a circle. Write the sums in the squares as you go. Can you reach 100 in exactly 11 steps?



Is there another way to reach 100 in exactly 11 steps? Write about what happened.