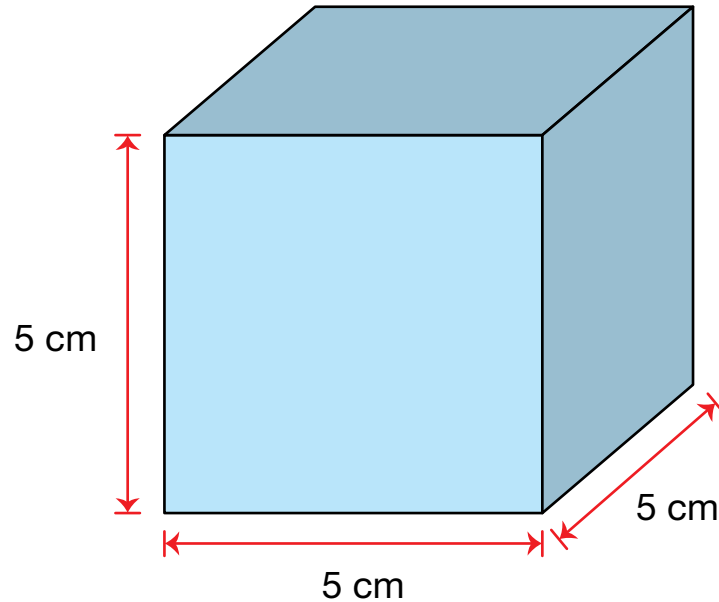
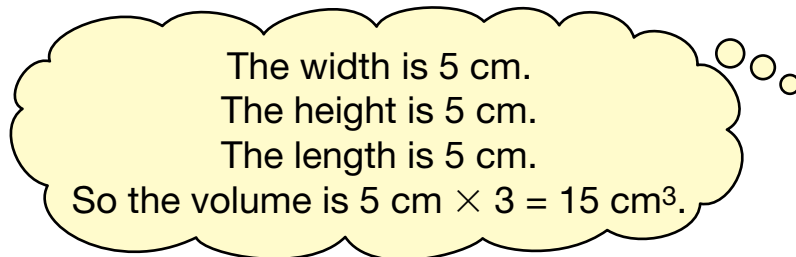


Confused Contessa Finds Volume

Contessa is finding the volume of this cube.



Here is her thinking:



Discuss Contessa's solution with a partner. Do you agree with Contessa? Why or why not?