

EE Division Practice



Use the math facts to solve each problem. Write remainders as whole numbers.

A. $17 \div 3 =$

B. $26 \div 4 =$

C. $64 \div 8 =$

D. $52 \div 7 =$

E. $19 \div 3 =$

F. $43 \div 6 =$

G. $35 \div 5 =$

H. $81 \div 9 =$

I. $54 \div 6 =$

J. $33 \div 4 =$

K. $74 \div 8 =$

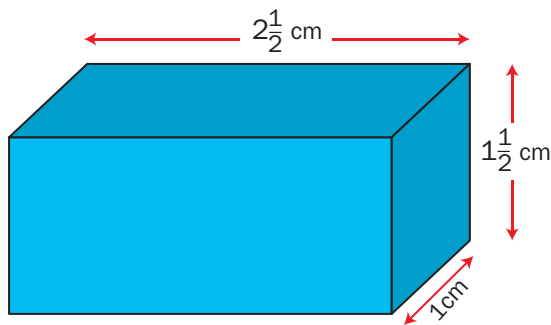
L. $58 \div 7 =$

FF Find Volume

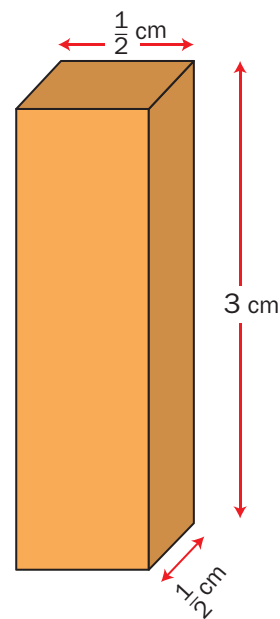


Find the volume for each rectangular prism.

1.



2.



3. Show or tell how you solved Question 2.