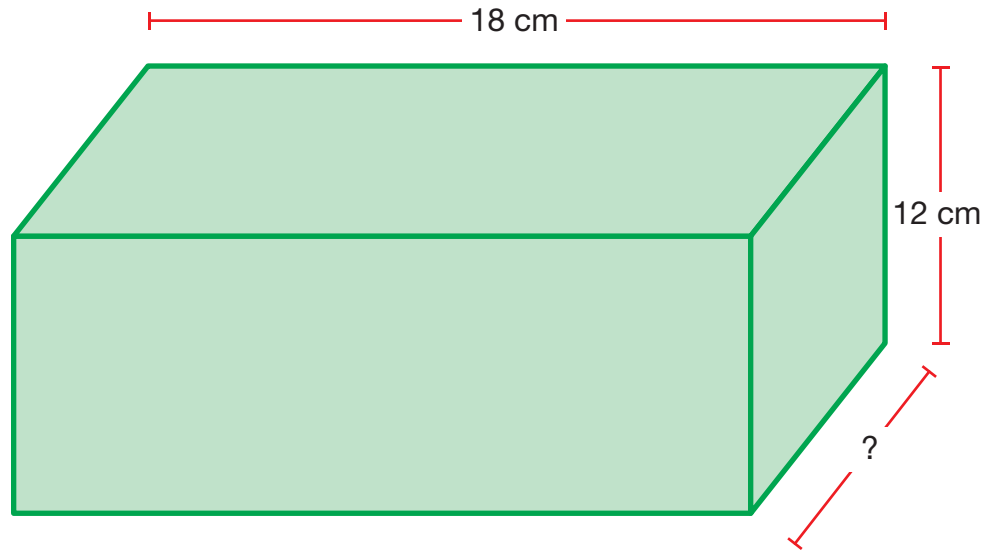


S Volume



The volume of the rectangular prism is 1728 cubic centimeters. Find the missing length.



T True Number Sentence



Use $<$, $>$ or $=$ to make each number sentence true.

A. 6×10^3 100×70

B. $8 \times 3^2 \times 4$ $2^5 \times 9$

C. $5^2 \times 4$ 5×4^2

D. $572 - 10^2 \times 5$ $8^2 + 9$

E. $9^3 \times 0 + 7 \times 3$ $5 \times 2^2 + 1$

F. 10,000 $10 \times 10^2 + 1000$

G. Show or tell how you solved Question D.