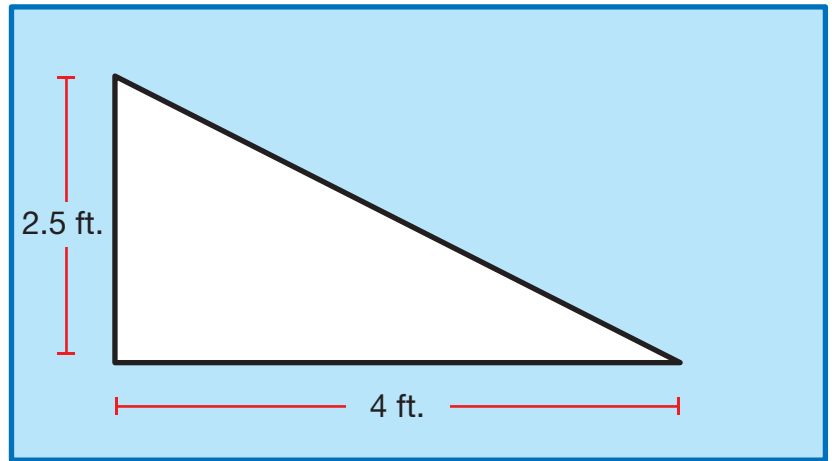


Y Area Problem

Peter cut a right triangle from a rectangle piece of paper.

The area of the paper left is 15 square feet.
What is the area of the original piece of paper? Show how you solved this.

**Z** Multiplying Decimals

Circle the most reasonable estimate then solve each problem.

- A. $21.7 \times 4.2 =$ 88 or 84
- B. $1.2 \times 0.54 =$ 0.5 or 0.6
- C. $4.5 \times 4.5 =$ 16 or 20
- D. $0.4 \times 6.07 =$ 2.4 or 24
- E. $0.98 \times 1.02 =$ 1 or 9